

Jadespace Global Pvt. Ltd., our journey began in 2009, when we started working on a diverse array of projects across India. Over the years, our dedication to excellence and innovative approach have established us as a formidable player in the industry. Our projects have spanned the length and breadth of the country, each one a testament to our commitment to quality, customer satisfaction, and cutting-edge design.

Our portfolio is a reflection of our relentless pursuit of perfection. We have successfully placed many premium projects, each meticulously crafted to meet the unique needs and preferences of our clients. From luxurious residential spaces to state-of-the-art commercial establishments, our projects are characterized by their innovative design, superior quality, and attention to detail. Our clients' trust and satisfaction are the driving forces behind our continued success, and we take immense pride in the relationships we have built over the years.

As part of our growth strategy, we are excited to offer franchise opportunities across India. This initiative is a natural progression of our vision to make our premium services and products accessible to a wider audience. By partnering with like-minded entrepreneurs, we aim to bring our exceptional standards of quality and design to more regions, creating a network of franchises that share our commitment to excellence. Our franchise model is designed to provide comprehensive support and training, ensuring that our partners are well-equipped to uphold the high standards that Jadespace Global Pvt. Ltd. is known for. In addition to our core business of project development and franchise expansion, we have diversified our product offerings with the launch of our furniture hardware and kitchen appliances range. This new venture is a testament to our innovative spirit and our commitment to providing comprehensive solutions to our clients. Our furniture hardware products are designed to complement our premium furniture offerings, providing seamless functionality and enhancing the overall aesthetic appeal. Similarly, our kitchen appliances are crafted with the same attention to detail and quality, ensuring that our clients have access to the best-in-class products that meet their modern lifestyle needs.

To support our furniture division, we have established two units of furniture manufacturing. These units are equipped with state-of-the-art machinery and staffed by skilled craftsmen who bring our designs to life. Our manufacturing capabilities enable us to maintain strict quality control and ensure that every piece of furniture that bears the Jadespace Global Pvt. Ltd. name is a true representation of our commitment to excellence. From contemporary designs to timeless classics, our furniture units produce a wide range of products that cater to diverse tastes and preferences.

Jadespace Global Pvt. Ltd., our mission is to continuously innovate and elevate the standards of the industry. Our journey from a firm working on pan-India projects since 2009 to a registered company in April 2023, and now a brand offering franchise opportunities and diversified products, is a testament to our growth and evolution. We are proud of our achievements and excited about the future as we continue to create spaces and products that inspire and delight our clients.

Join us on this journey and experience the Jadespace Global Pvt. Ltd. difference, where quality, innovation, and customer satisfaction are at the heart of everything we do. We committed to the high growth of channel partners.



Kitchen Hardware Fittings

Slim Drawer Box 6" - JGHS 201



Description

Brand	Jadespace
Colour	Grey
Finish Type	Wooden
Weight Limit	45 Kilograms

Categories: DRAWER SYSTEM, Kitchen Hardware Fittings

About this item

- Load Bearing Capacity : Upto 45 Kg
 - Smooth Click Mechanism To Remove Drawer
 - High Load Capacity To Store All Kitchen Products Easy Installation And For Effortless Closing Long Lasting Durable Mechanism
- High Load Capacity To Store All Kitchen Products Easy Installation And For Effortless Closing Long Lasting Durable Mechanism
 - Soft Closing Action
 - Only Fitting. Wooden Board Not Included
 - Silent/ Soft closing channels for modular Kitchen

Slim Drawer Box 4" - JGHS 202



Description

Brand	Jadespace
Colour	Grey
Finish Type	Wooden
Weight Limit	45 Kilograms

Categories: DRAWER SYSTEM, Kitchen Hardware Fittings

About this item

- Load Bearing Capacity : Upto 45 Kg
 - Smooth Click Mechanism To Remove Drawer
 - High Load Capacity To Store All Kitchen Products Easy Installation And For Effortless Closing Long Lasting Durable Mechanism
- High Load Capacity To Store All Kitchen Products Easy Installation And For Effortless Closing Long Lasting Durable Mechanism
 - Soft Closing Action
 - Only Fitting. Wooden Board Not Included
 - Silent/ Soft closing channels for modular Kitchen

Slim Drawer Box 8" - JGHS 203



Description

Brand	Jadespace
Colour	Grey
Finish Type	Wooden
Weight Limit	45 Kilograms

Categories: DRAWER SYSTEM, Kitchen Hardware Fittings

About this item

- Load Bearing Capacity : Upto 45 Kg
- Smooth Click Mechanism To Remove Drawer
- High Load Capacity To Store All Kitchen Products Easy Installation And For Effortless Closing Long Lasting Durable Mechanism
- High Load Capacity To Store All Kitchen Products Easy Installation And For Effortless Closing Long Lasting Durable Mechanism
- Soft Closing Action
- Only Fitting. Wooden Board Not Included
- Silent/ Soft closing channels for modular Kitchen

Glass Slim Box - JGKG 204



Description

Brand	Jadespace
Product Dimensions	500mm x 84mm
	500mm X 116mm
	500mm X 167mm
	500mm X 199mm

About this item

- Load Bearing Capacity : Upto 45 Kg
- Smooth Click Mechanism To Remove Drawer
- High Load Capacity To Store All Kitchen Products Easy Installation And For Effortless Closing Long Lasting Durable Mechanism

Wicker Baskets - JGKW 205



Description

Brand	Jadespace
Colour	Brown
Material	Wicker
Shape	Rectangular
Product Dimensions	50D x 42W x 45H Centimeters

Categories: Kitchen Hardware Fittings, MULTI USE BASKETS

About this item

Wicker kitchen basket 420x500x100x150x200 mm exact size

- Smooth Click Mechanism To Remove Drawer
- High Load Capacity To Store All Kitchen Products Easy Installation And For Effortless Closing Long Lasting Durable Mechanism
- Only Fitting. Wooden Board Not Included
- Silent/ Soft closing channels for modular Kitchen

Drawer Box - JGKT 206



Description

Brand	Jadespace
Colour	White
Material	Mild Steel
Finish Type	Wooden
Weight Limit	45 Kilograms

Categories: DRAWER SYSTEM, Kitchen Hardware Fittings

About this item

- Load Bearing Capacity : Upto 40 Kg
- Smooth Click Mechanism To Remove Drawer
- High Load Capacity To Store All Kitchen Products Easy Installation And For Effortless Closing Long Lasting Durable Mechanism

- Smooth Click Mechanism To Remove Drawer
- High Load Capacity To Store All Kitchen Products Easy Installation And For Effortless Closing Long Lasting Durable Mechanism
- Only Fitting. Wooden Board Not Included
- Silent/ Soft closing channels for modular Kitchen

Bottle Pull Out Satin Soft Close - JGKB 207



Description

Brand	Jadespace
JSG	207
Available in	200 mm, 250 mm, 300 mm

Categories: Kitchen Hardware Fittings, PULLOUTS

About this item

- Set contains Pull out Mechanism, Metal frame, Baskets
- German Technology soft close mechanism which gives nice and gentle movement

- Allows easy access by a full extension Bottom Undermount mechanism
- Bottle Pullout has 30 Kg Capacity
- Basket made of Stainless steel, ABS and Aluminium
- Frame in Stainless Steel Finish with direct shutter attachment
- Elegantly designed to suit today's modern kitchen
- Organize kitchen products as desired with our premium bottle pullout system

Bottle Pulout - JGKB 208



Description

Brand	Jadespace
Material	Metal
Material Metal	Kitchen
Room Type Number of Shelves	2
Product Dimensions	50D x 20W x 55H Centimeters
Style	Modern
Product Care Instructions	Wipe with Dry Cloth
Size	250 mm
Number of Items	1

- 12 Inches Width – 300mm, Deep – 500mm, Height – 425mm
- 2 Self, Side mounted bottle pull out unit BPO for kitchen cabinet width 300 mm (please check the dimension before buy) NOTE:- THE PRODUCT DOES NOT COME WITH WOODEN CABINET , IT HAS TO BE MADE BY YOUR CARPENTER.
- Purple Glass Finished: Enhance the aesthetic of your kitchen with the sleek and modern BPO.
- Soft-Close Mechanism: Experience the convenience of soft-close technology, ensuring smooth and quiet operation every time.

Bifold Lift Up Overhead Fitting - JGKB 209



Description

Brand	Jadespace
JGKB	209
Available in	6-8 Kg, 8-10 Kg, 10-12 Kg

Categories: Kitchen Hardware Fittings, UPLIFT

About this item

- Bi-FOLD/DOUBLE LIFT UP OVERHEAD FITTING
- Ideally used for the kitchen overhead cabinets where the entire cabinet space can be utilized.
- Smooth shutter opening & closing
- Elegant Look suiting modern kitchens

- Vertical adjustment without removing shutter
- Power Adjustment Feature
- Set Comprises (Lift-up mechanism with cover: 01 pair ; Auto close hinge: 01 pair ; Center hinge with accessories)
- High stability, even with wide doors
- Suitable for wooden & framed glass doors

Gas Pump - JGKG 210



Description

Brand	Jadespace
JGKG	210
Weight	5, 10, 15, 20, 25, 30kg

Categories: Kitchen Hardware Fittings, UPLIFT

About this item

- Ideally used for the kitchen overhead cabinets where the entire cabinet space can be utilized.
- Smooth shutter opening & closing
- Suitable for wooden & aluminium framed shutters
- Load Size: 60N, 80N, 100N, 120N, 150N
- Surface Color: Metallic Grey
- Easy installation
- High durability

Aluminium Rolling Shutter - JGKA 211



Description

Brand	Jadespace
JGKA	211
Available in	Black Glass, White Glass and Frosted Glass

Categories: Kitchen Hardware Fittings, ROLLING SHUTTERS

About this item

- Set includes rolling mechanism, side profile and top profile cover
- Pure Aluminium raw material is used for manufacturing rolling shutter

- Rolling Shutters are designed to give complete openings in cabinets with anywhere stop feature
- Great alternative to traditional hinged or sliding doors
- Rolling Shutters leave your kitchen transformed and reward it with the luxury of space
- Rolling shutters are generally used as an appliance garage or a crockery unit
- Elegantly designed to suit today's modern kitchen
- Organize kitchen products as desired with our premium aluminium rolling shutter
- Cabinet of 600mm (Width) X 1320mm (Height) X 300mm (Depth) required for installation

Black Glass Rolling Shutter - JGKB 212



Description

Brand	Jadespace
JGKB	212
Available in	Aluminium, White Gl & Frosted Glass

Categories: Kitchen Hardware Fittings, ROLLING SHUTTERS

- Set includes rolling mechanism, side profile and top profile cover
- Flexi-glass material is used for manufacturing glass rolling shutter
- Rolling Shutters are designed to give complete openings in cabinets with anywhere stop feature

- Great alternative to traditional hinged or sliding doors
- Rolling Shutters leave your kitchen transformed and reward it with the luxury of space
- Rolling shutters are generally used as an appliance garage or a crockery unit
- Elegantly designed to suit today's modern kitchen
- Organize kitchen products as desired with our premium aluminium rolling shutter
- Cabinet of 600mm (Width) X 1320mm (Height) X 300mm (Depth) required for installation

Drawers Channel 10" - JGHD - 215



Description

Brand	Jadespace
Colour	Silver
Material	Alloy Steel
Finish Type	Steel
Mounting Type	Side Mount
Capacity	45 kg

Categories: **DRAWER SYSTEM, Kitchen Hardware Fittings**

- Material: Mild Steel, Color: Silver
- They feature a telescoping design, allowing the drawer to extend fully from the cabinet for easy access to its contents.

- The ball bearings within the slides reduce friction, providing smooth and quiet operation
- Size: 10 Inches, Load Capacity: 45 Kg
- Package Content: 1-Pair(2 Piece) Telescopic Ball Bearing Drawer Channel, Installing Screws.
- These slides are known for their durability and ability to handle heavy loads, making them suitable for various applications.
- Installation of telescopic ball bearing slides involves attaching them to the sides of the drawer and the cabinet using screws
- They are commonly used in kitchen cabinets, office furniture, and other applications where smooth and reliable drawer movement is desired.

Bed Lift Up Fitting - JGBL 216



Description

Brand	Jadespace
JGBL	216
Available in	120 Kg, 150 Kg, 200 Kg

Categories: **Kitchen Hardware Fittings, UPLIFT**

- Ideal for storage under bed.
- Special gas spring available in three loads capacity.
- 30° opening angle allows easy access.
- Easy to lift (with the weight of top board) with minimum force.
- Easy access as the gas lift keeps the bed top stay.
- Long brackets provided for better support to the bed platform

Full Extension Drawer Slides Channel (All Size) JGHF - 217



Description

Brand	Jadespace
Colour	Black
Material	Alloy Steel
Product Dimensions	40L x 10W x 460Th mm
Mounting Type	Side Mount
Capacity	45 kg

About this item

- **WELL MADE** - Made from cold rolled steel, very well engineered and constructed resulting in a smooth silent action. These ball bearing drawer slides are intended to be used as side rails and work perfectly fine.

- **SMOOTH ACTION** - The steel ball bearing runners are very smooth and slides along with ease. Because full extension drawer slides have a rubberized brake at the rear, retracting a heavy weight means that it holds sufficiently and does extend again by itself because of the weight.

Drawer Channel 18" - JGHD - 218



Description

Brand	Jadespace
Colour	Silver
Material	Zinc
Product Dimensions	40L x 10W x 460Th mm
Finish Type	Steel
Capacity	45 kg

About this item

- All three sections of rails are made of thickened steel plates, and strength, dense cold-rolled steel. It can support heavy load storage without deformation, and the bottom is equipped with a limited rubber pad, which is made of abs plastic, with good wear resistance and good impact resistance. After testing, the number of opening and closing times has reached more than 100,000 times.

- Full extension heavy-duty drawer slides support access to the whole space, and the drawers can be pulled out completely for easy storage of items. The surface of the slide rail is treated with a galvanized blue sealing process, which isolates the slide rail from direct contact with air and water, and increases oxidation resistance and corrosion resistance.

Drawer Channel 14" - JGHD - 219



Description

Brand	Jadespace
Colour	Silver
Material	Zinc
Product Dimensions	40Lx10WX350 TH MM
Finish Type	Steel
Capacity	45 kg

About this item

- All three sections of rails are made of thickened steel plates, and strength, dense cold-rolled steel. It can support heavy load storage without deformation, and the bottom is equipped with a limited rubber pad, which is made of abs plastic, with good wear resistance and good impact resistance. After testing, the number of opening and closing times has reached more than 100,000 times.
- Full extension heavy-duty drawer slides support access to the whole space, and the drawers can be pulled out completely for easy storage of items. The surface of the slide rail is treated with a galvanized blue sealing process, which isolates the slide rail from direct contact with air and water, and increases oxidation resistance and corrosion resistance.

Drawer Channel (16") - JGHD - 220



Description

Brand	Jadespace
Colour	Silver
Material	Zinc
Product Dimensions	42L X 10W X 5TH CM
Finish Type	Steel
Capacity	45kg

About this item

- All three sections of rails are made of thickened steel plates, and strength, dense cold-rolled steel. It can support heavy load storage without deformation, and the bottom is equipped with a limited rubber pad, which is made of abs plastic, with good wear resistance and good impact resistance. After testing, the number of opening and closing times has reached more than 100,000 times.
- Full extension heavy-duty drawer slides support access to the whole space, and the drawers can be pulled out completely for easy storage of items. The surface of the slide rail is treated with a galvanized blue sealing process, which isolates the slide rail from direct contact with air and water, and increases oxidation resistance and corrosion resistance.

Drawer Channel (12") - JGHD - 221

Description



Brand	Jadespace
Colour	Silver
Material	Zinc
Product Dimensions	40L X 10 WX 300TH MM
Finish Type	Steel
Capacity	45kg

About this item

- All three sections of rails are made of thickened steel plates, and strength, dense cold-rolled steel. It can support heavy load storage without deformation, and the bottom is equipped with a limited rubber pad, which is made of abs plastic, with good wear resistance and good impact resistance. After testing, the number of opening and closing times has reached more than 100,000 times.
- Full extension heavy-duty drawer slides support access to the whole space, and the drawers can be pulled out completely for easy storage of items. The surface of the slide rail is treated with a galvanized blue sealing process, which isolates the slide rail from direct contact with air and water, and increases oxidation resistance and corrosion resistance.

Drawer Channel (20") - JGHD - 222

Description



Brand	Jadespace
Colour	Silver
Material	Zinc
Product Dimensions	50.8L X 1.3W X 4.1 TH CM
Finish Type	Steel
Capacity	45kg

About this item

- All three sections of rails are made of thickened steel plates, and strength, dense cold-rolled steel. It can support heavy load storage without deformation, and the bottom is equipped with a limited rubber pad, which is made of abs plastic, with good wear resistance and good impact resistance. After testing, the number of opening and closing times has reached more than 100,000 times.
- Full extension heavy-duty drawer slides support access to the whole space, and the drawers can be pulled out completely for easy storage of items. The surface of the slide rail is treated with a galvanized blue sealing process, which isolates the slide rail from direct contact with air and water, and increases oxidation resistance and corrosion resistance.

Drawer Channel (22") - JGHD - 223

Description



Brand	Jadespace
Colour	Silver
Material	Zinc
Package Dimensions	57.29 X 11.4 X 4.6 CM
Finish Type	Steel
Capacity	45kg

About this item

- All three sections of rails are made of thickened steel plates, and strength, dense cold-rolled steel. It can support heavy load storage without deformation, and the bottom is equipped with a limited rubber pad, which is made of abs plastic, with good wear resistance and good impact resistance. After testing, the number of opening and closing times has reached more than 100,000 times.
- Full extension heavy-duty drawer slides support access to the whole space, and the drawers can be pulled out completely for easy storage of items. The surface of the slide rail is treated with a galvanized blue sealing process, which isolates the slide rail from direct contact with air and water, and increases oxidation resistance and corrosion resistance.

Drawer Channel (24") - JGHD - 224

Description



Brand	Jadespace
Colour	Silver
Material	Zinc
Package Dimensions	35L x 30W x 25Th Centimeters
Finish Type	Steel
Capacity	45kg

About this item

- All three sections of rails are made of thickened steel plates, and strength, dense cold-rolled steel. It can support heavy load storage without deformation, and the bottom is equipped with a limited rubber pad, which is made of abs plastic, with good wear resistance and good impact resistance. After testing, the number of opening and closing times has reached more than 100,000 times.
- Full extension heavy-duty drawer slides support access to the whole space, and the drawers can be pulled out completely for easy storage of items. The surface of the slide rail is treated with a galvanized blue sealing process, which isolates the slide rail from direct contact with air and water, and increases oxidation resistance and corrosion resistance.

Pantry Unit Glass - JGKP - 225



Description

Brand	Jadespace
Material	Glass
Room Type	Kitchen
Number of Shelves	12
Product Dimensions	50D x 55.5W x 178H Centimeters
Special Feature	Lockable
Product Care Instructions	Wipe with Damp Cloth
Size	Large
Weight Limit	50 Kilograms

Categories: CUTLERY & PANTRY, Kitchen Hardware Fittings

About this item

- THE PRODUCT DOES NOT COME WITH WOODEN CABINET
- Easy installation with Installation Templates & Guide
- width 555*depth 500 *height (1780)mm
- Soft close mechanism , toughened glass baskets
- Good Load Bearing Capacity

Satin Pantry - JGKS - 226



Description

Brand	Jadespace
JSG	satin
Available in	450mm and 600 mm width with options for 8 basket or 12 baskets height

Categories: CUTLERY & PANTRY, Kitchen Hardware Fittings

About this item

- Set contains Mechanism, Pull out system, Door frame, Baskets (8 or 12 depending on model)

- German Technology soft close mechanism which gives nice and gentle movement
- Each small basket have capacity upto 6 kg and Big basket have capacity upto 10 kg
- Pantry Minimum Capacity 60 kg and Maximum Capacity 100 kg depending on model
- Powder-coated Frame in Dark Grey Matt Finish
- Basket made of Stainless steel, ABS and Aluminium
- Baskets are height adjustable & easily removable for cleaning purpose
- Elegantly designed to suit today's modern kitchen
- Organize kitchen products as desired with our premium kitchen pantry system

Wooden Pantry Premium System - JGKW 227



Description

Brand	Jadespace
JSG	MKM-040.1
Available in	450mm and 600 mm width with options for 8 basket or 12 baskets height

Categories: CUTLERY & PANTRY, Kitchen Hardware Fittings

About this item

- Set contains Mechanism, Pull out system, Door frame, Clips, Baskets (8 or 12 depending on model)
- Each small basket have capacity upto 6 kg and Big basket have capacity upto 10 kg

- Pantry Minimum Capacity 60 kg and Maximum Capacity 100 kg depending on model
- Powder-coated Frame in Light Grey Finish
- Basket made of Chrome plated mild steel and Laminated wooden base
- Baskets are height adjustable & easily removable for cleaning purpose
- Elegantly designed to suit today's modern kitchen
- Organize kitchen products as desired with our premium kitchen pantry system

Cutlery Tray Bamboo - JGKB 228



Description

Brand	Jadespace
Material	Bamboo & medium-density fibreboard (MDF) Colour
Special Feature	Portable, Expandable, Adjustable
Colour	Pink
Dimensions	39.4D x 36.8W x 7.6H Centimeters
Shape	Rectangular
Number of Items	1

About this item

- **SUSTAINABLE MATERIAL:** Made from 100% bamboo and MDF material for sturdy, eco-friendly, and easy-care use. It is durable and has a rich-looking feel.
- **SPLINTER-RESISTANT:** Handles are smooth and splinter-free for easy handling and portability.
- **VERSATILITY:** Store and organise tea, sugar, and instant coffee in 5 compartments for easy access and visibility

PVC Cutlery tray - JGKP 229

Description



Brand	Jadespace
Specific Uses For Product	Cosmetics
Material	Polyvinyl Chloride
Colour	Grey
Finish Type	Polished
Product Dimensions	47.5D x 83W x 5.5H Centimeters
Shape	Rectangular
Number of Items	1

About this item

- **PREMIUM MATERIAL:** Made with high- quality plastic this tray will not only keep its aesthetically pleasing look but will also last a long time due to its durable construction, water-resistant, glossy finished with gray color, easy to clean.
 - **MULTI-PURPOSE:** Ideal sized with multiple compartments to fit various sized items like pencils, pens, paper clips, crafting materials, tech/gadget accessories, toiletries, beauty products, grooming tools, and more
 - **BEAUTIFUL LOOK:** Water-resistant PVC tray that wipes down easily with a damp cloth. Makes everything look beautiful and better organized. It will match almost any decor.
 - **CONVENIENT:** Convenient design with 10 compartments to fit forks, knives, spoons, chopsticks, wine openers, spatulas, whisks, tongs, ladles, rolling pin, and other cooking tools
- EASY TO CUT:** You can cut manually.or instant custom fit

Hob 4 Burner - JGKB 230



Description

Brand	Jadespace
Material	Glass
Colour	Black
Special Feature	Electric
Heating Elements	4

About this item

- **Type:** Toughened Black Glass, 8mm | Size: 65cm Width
- **Burners Specifications:** 4 Burners – 1 X 3 Kw, 3 X 1.5 Kw
- Ignition – In-built Auto Electric, DC1.5 V Operated | Cast Iron Pan Support
- Premium Metal Knobs | Burner cap – Brass finish | Can be Used as Hobtop or Cooktop
- **Warranty:** 5 Years on Glass & Valve; 2 Years on Burner and 1 Year Comprehensive by Faber

Kitchen Chimney - JGKC 231



Description

Brand	Jadespace
Colour	Black
Special Feature	Oil Collector
Product Dimensions	34D x 59.7W x 85H Centimeters

About this item

- Kitchen chimney comes with Autoclean technology and maximum suction power 1350 m³/hr having filterless and motion sensor technology
- **Filterless Technology:** This Filter less Auto Clean Kitchen Chimney ensures a powerful suction capacity to keep your kitchen smoke-free.
- **Size:** 60 cm
- **Suction capacity:** 1350 m³/hr
- **Manufacturer Warranty:** 1 Year Comprehensive and 5 Year Warranty on Motor
- **Control Type:** Motion sensor
- **Noise:** 60 dB
- **Special Features:** Oil Collector
- **Dimensions LXBXH:** 34 x 59.7 x 85 Centimeters
- **Included in The Box:** Chimney, Manual, Duct, Hanging Clamp

3D Hinges Soft Close - KGHH - 232



Description

Brand	Jadespace
Material	Stainless steel
Product Dimensions	11.5L x 5.5W Centimeters
Finish Type	Polished
Also Available	Black
Mounting Type	Door Mount
Net Quantity	1 Set

Categories: DOOR & CABINET HINGES, Kitchen Hardware Fittings

About this item

- Made of stainless steel with nickel plated surface and brass plated bottom, rust, and wear-resistant, durable.
- Inset type: The euro-style concealed kitchen cabinet hinge suitable for inset cabinet doors on frameless cabinets. Inset cabinet hinges come in either a hidden mount, where the hinge is mounted on the inside edge of the door and cabinet frame. It's not fit for face frame cabinet.
- CLIP-ON FUNCTION: The clip-on hinge is the easiest and quickest to fit, without any tools. It is ideal for doors requiring multiple hinges to be fitted this is because you simply line the hinge up with the mounting plate and push it on in one simple movement, it will then clip on to be connected to your mounting plate. They require very little alignment and make the job much easier when you have a few hinges to fit.
- Soft close: The piston damper and strong spring make the hinge operate smooth and silent. No more slamming cabinet doors. They are soft close.
- Easy installation: The cabinet mounting plate could snap off, the function will help you rid off holding the door during installation, you can easily arrange the hinge on the door and the inside of the cabinet then unattach them from each other with a simple press of the hinge clasp.

Hinges Soft Close - JGHH 233



Description

Brand	Jadespace
Material	Stainless Steel
Finish Type	Electroplated
Also Available	Black
Mounting Type	Door Mount
Product Dimensions	50D x 20W x 55H Centimeters
Style	Modern
Product Care Instructions	Wipe with Dry Cloth
Size	250 mm
Number of Items	1 Set

Categories: DOOR & CABINET HINGES, Kitchen Hardware Fittings

About this item

- Angle of opening 110 Degree | Cup Dia 35 mm | Cup Depth 11.5 mm
- Size :103 MM X 64 MM
- Finish: Nickel
- 3D Clip on Concealed Hinges (Soft Close)- Three way adjustable hinge
- ARCHITECTURAL QUALITY- Each hinge is Machined for precise installation & normal movement

Slow Motion Hinge With Four Hole - JGHS 234



Description

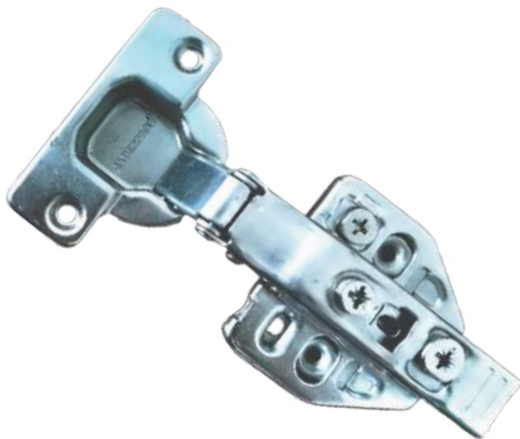
Brand	Jadespace
JGHS	234
Shutter Thickness	16 to 19 mm
Available	Available in Full overlay, Half overlay and Inset.
Also Avelable	Black

Categories: DOOR & CABINET HINGES, Kitchen Hardware Fittings

About this item

- Max. opening – 105 °
- 1 Pair Contains 2 Hinges & 2 Mounting Plates with screws and cover plate
- Max. shutter size – 34" x 22" (850 mm x 550 mm) for 2 hinges.
- Shutter Thickness – 16 to 19 mm
- Shutter cavity Ø35 mm; 12 mm deep.
- Finish – STAINLESS STEEL 304
- German technology built in damper allows the shutter to close in slow motion without banging

Thick Door Clip Motion Hinge - JGHT 235



Description

Brand	Jadespace
JGHT	235
Available	Available in Full overlay, Half overlay and Inset.
Also Avelable	Black

Categories: DOOR & CABINET HINGES, Kitchen Hardware Fittings

About this item

- Maximum Opening – 105°
 - 1 Pair Contains 2 Hinges & 2 Mounting Plates
 - Max. shutter size – 34" x 22" (850 mm x 550 mm) for 2 hinges.
 - Shutter Thickness – 25 to 32 mm
-
- Finish – Nickel Plated
 - German technology built in damper allows the shutter to close in slow motion without banging

Soft Close 3D - JGHS 236



About this item

- 2 Hinges, 2 Arm Covers & 2 Cup Covers.
- Full Overlay / Half Overlay .
- Soft Close.

Description

Brand	Jadespace
JGHS	236
Material	Steel
Style	Soft Close
Colour	Silver, Black
Number of Pieces	2

90° Cross Corner Slow Motion Hinge - JGKC 237



Description

Brand	Jadespace
JGKC	237
Colour	Silver, Black
Available in	Available in 30 and 45 degree also

Categories: DOOR & CABINET HINGES, Kitchen Hardware Fittings

- Max. opening – 90°
- 1 Pair Contains 2 Hinges & 2 Mounting Plates
- Max. shutter size – 34" x 22" (850 mm x 550 mm) for 2 hinges.
- Shutter Thickness – 16 to 19 mm
- Finish – Nickel Plated
- German technology built in damper allows the shutter to close in slow motion without banging

Push to Open Drawer - JGHP 238



Description

Brand	Jadespace
Material	Aluminum
Colour	Black
Finish Type	Steel
Mounting Type	Side Mount

Categories: DRAWER SYSTEM, Kitchen Hardware Fittings

About this item

- This is push to open drawer slide, no soft close. push open drawer slides which is durable. After testing, the number of times the slide rail is opened and closed is as high as 100,000 times. Installation dimension description: 25mm space between drawer and cabinet wall required (Left mounting clearance: 12.5mm, right mounting clearance: 12.5mm).Suitable drawer length:300-350 mm.
- Push to Open drawer runners It adopts an upgraded version of the rebounder structure, which is responsive, strong and flexible, no need to pull hands, saying goodbye to the traditional handle drawer. The drawer can be opened by pressing lightly. double rows of solid steel balls make the drawer open smoother and quieter.
- Detachable & full extension There is a black plastic buckle on the back of the slide rail, and the drawer can be easily taken out by pressing it, Easy to install. 3-Fold full extension drawer runners, so that the drawer can be fully drawn out, which is convenient for storing items.

Soft Close Swing Corner - JGKS 239



Description

Brand	Jadespace
Product Dimensions	48D x 80W x 77H Centimeters
Item Weight	15 Kilograms
Assembly Required	No

Categories: CORNER SOLUTIONS, Kitchen Hardware Fittings

About this item

- Cabinet width 900 mm swing corner WIDTH 810* DEPTH 480* HEIGHT (600-770)MM | Product Dimensions: 48D x 80W x (60-77) H Centimeters
- Suggested Corner Width 900 -1050 mm, Required minimum Opening Door Cabinet Space of 450 mm, Required length – 500 mm (Please Check Your Size Before Buy) . Also , pls check Left & right side opening of yours before buy.
- Cabinet Door Width : 450mm (Outer) Cabinet Width : 900 mm (Outer) 30 Kg Load capacity. Can be fitted in 16" door also if your carpenter is experienced.
- Special Features:-Corrosion And Rust Free, High Durability Soft close. Easy installation with Installation Templates & Guide.

Wire Basket for Modular Kitchen - JGKW 240



Description

Brand	Jadespace
Colour	Silver
Material	Stainless Steel
Product Dimensions	28L x 28W x 37H Centimeters
Item Weight	2.25 Kilograms

Categories: Kitchen Hardware Fittings, MULTI USE BASKETS

About this item

- **MATERIAL AND EASY TO USE:** No assembly required. Kitchen basket is manufactured from graded stainless steel for ensuring excellent performance, longevity and durability. Nickel Chrome process to ensure long-lasting, waterproof, corrosion and rust resistant performance. It fits perfectly in your home and kitchen.
- **A WIDE RANGE OF USAGES:** The Thali basket can serve itself for different purposes, holding various sizes plate, thali, tray, dishes, crockery and chopping board Thali can now be stacked properly with much more neatness in your kitchen.
- **TOUGH & DURABLE:** Constructed by High Grade Stainless Steel, the basket is durable and rust free, ensuring shine and longevity. It has a coating of nickel chrome mirror finish helping in resisting daily scratches and avoids leaving fingerprint
- **EASY INSTALLATION & CLEANING:** Fitting hardware Included, Very easy to fit with telescopic channel, simply wipe the rack with a soft cotton cloth to remove dust and moisture.
- **SAVE SPACE SAVE TIME:** An organized and well-structured kitchen basket goes a long way in saving time and efficiently utilizing space. Organizing things efficiently in Kitchen Basket. Easy access to all you need and declutter your kitchen. Find kitchen utensils with ease.

Stand for Tandem - JGKS 241



Description

Brand	Jadespace
Material	Stainless Steel
Colour	Chrome
Special Feature	Multipurpose
Product Dimensions	47D x 14.5W x 20H Centimeters
Shelf Type	Tiered Shelf

Categories: Kitchen Hardware Fittings, Tandem Attachments

About this item

- **Durable Construction:** Crafted from premium stainless steel, the kitchen Thali+Dish+Soucer rack is designed for durability and long-lasting use. The wide base is made of durable ABS plastic which makes the stand super stable.

Dish Plate Rack - JGKS 213



Description

Brand	Jadespace
Material	Stainless Steel
Colour	Silver
Product Dimensions	28D x 56.5W x 6.5H Centimeters

About this item

- Dish Plate Rack Drainer 600mm option suits 540mm to 580mm internal cupboard width. Depth: 280mm, Outer to Outer 60cm width cabinet (please check your cabinet size before buy)

- Made of Stainless Steel 202. Solid mounting fixtures - each shelf can hold up to 20kg (dependent on weight capability of cupboard)
- Dishes are stored dry or wet vertically in the upper rack, or stacked on the lower rack with drip tray.
- EASY FITTING - GTPT Spring mounted mounting fixtures give some width flexibility.
- Modular Kitchen Hardware & Accessories

400mm Pull Out Built-in Cabinet Wastebin - JGKW 242

Description



Brand	Jadespace
JGKW	242
Available in	400 mm

Categories: Kitchen Hardware Fittings, WASTE BINS

About this item

- Set includes metal frame with mechanism, ABS buckets and lid.
- 400mm Kitchen pull out built-in cabinet wastebin/dustbin has 40 Litres capacity which is divided into 2 partitions with 20 litres capacity each & it comes with self closing mechanism
Size (WxDxH) – 350 x 480 x 420 mm
- 450mm Kitchen pull out built-in cabinet wastebin/dustbin has 40 Litres capacity which is divided into 3 partitions with 2 buckets having 10 litres capacity each & 1 bucket having 20 litres capacity & it comes with soft closing mechanism Size (WxDxH) – 402 x 496 x 410 mm.
- Full extension slides provided for easy access of the buckets.
- Removable bucket for convenience of cleaning.
- Option of directly attaching the shutter to the frame for ease of access.
- Elegantly designed to suit today's modern kitchen.

Pull Out Undersink Cabinet Wastebin - JGKW 244

Description



Brand	Jadespace
JGKP	244
Capacity	30 Litres

Categories: Kitchen Hardware Fittings, WASTE BINS

About this item

- Set includes metal frame with mechanism, ABS buckets and lid.
- Kitchen pullout built-in wastebin/dustbin for Undersink cabinet has 30 Litres capacity which is divided into 2 partitions with 15 litres capacity each & with soft closing mechanism
- Removable bucket for convenience of cleaning.
- Full extension slides provided for easy access of the buckets.
- Elegantly designed to suit today's modern kitchen.

Swing Out Built-in Cabinet Wastebin - JGKW 245



Description

Brand	Jadespace
JGKW	245
Available in	8 Litres and 14 Litres capacity

Categories: Kitchen Hardware Fittings, WASTE BINS

About this item

- Jadespace India waste bins have automatic opening/closing system for lids.
- Removable bucket for convenience of cleaning.
- Made of Non toxic premium ABS material and stainless steel for long life.
- Special chrome plated finish on outside.
- Elegantly designed to suit today's modern kitchen.

Door Hinges SS - JGHH 246



<u>SR. NO.</u>	<u>SIZE</u>	<u>THICKNESS (MM)</u>	<u>WEIGHT APPROX</u>	<u>PCS/ BOX</u>	<u>BOX/ CTN</u>	<u>TOTAL PCS</u>
1	75X13X19	1.5	45g	30	24	720
2	75X19X19	1.5	50g	30	24	720
3	3X16	1.5	60g	30	24	720
4	3X12	2.0	82g	20	24	480
5	3X12	2.5	100g	20	24	480
6	4X14	1.8	110g	12	24	288
7	4X12	2.5	160g	10	24	240
8	5X14	1.8	160g	12	24	288
9	5X12	2.5	210g	10	24	240
10	6X12X1.25"	2.5	265g	6	24	144
11	5X10X1.25"	3.0	290g	6	24	144

Door Butt Hinges - JGKD - 214



Description

Brand	Jadespace
Material	Stainless steel
Product Dimensions	25.4L x 12.7W Centimeters
Finish Type	Stainless Steel
Mounting Type	Door Mount
Net Quantity	12.00 Unit

Categories: DOOR & CABINET HINGES, Kitchen Hardware Fittings

- Concealed sides gives SUPER STRENGTH to Hinge
- Slow Motion Hinges, Grinding Welded Head
- Material : Made from Stainless Steel
- Size : 4 inch X 12 Gauge / 2.5 mm Thickness

- Finish: Stainless Steel Finish
- ARCHITECTURAL QUALITY- Each hinge is Machined for precise installation & normal movement

Steel L-hinges 1.5mm - JGHS 247

Size
3X3 / 8X6 mm
3X3 / 8X12 mm
3X3 / 8X19 mm
3X1 / 2X6 mm
3X1 / 2X12 mm
3X1 / 2X19 mm
3X1 / 2X25 mm
3X3 / 4X6 mm
3X3 / 4X12 mm
3X3 / 4X19mm
3X3 / 4X25mm



Steel L-hinges 1.5mm - JGHS 248

Size
4X1 / 2X6 mm
4X1 / 2X12 mm
4X1 / 2X19 mm
4X1 / 2X25 mm
4X3 / 4X6 mm
4X3 / 4X12 mm
4X3 / 4X19 mm
4X3 / 4X25 mm





Wardrobe Fittings

Cloth Lifter Pulldown - JGWC 249



Description

Brand	Jadespace
Colour	Mocha
Product Dimensions	86L x 16W Centimeters
Material	Metal
Mounting Type	Side
Item Weight	3500 Grams
Maximum Weight	25 Kilograms

Category: Wardrobe Fittings

About this item

- Adjustable – Suitable for wardrobe inner width: approx 920 to 1240mm. The width of tube can be adjusted due to its telescopic design so that it fits wardrobe well.

- Premium Material – Our Pull Down Closet Rods is mainly made of aluminium tube, sturdy and durable, with strong load capacity, max load to up 13Kgs. this wardrobe rail adopts pneumatic buffer system, the arm will go back to the high place softly.
- Pull Down Design – This Wardrobe Rail Lift adopts pneumatic buffer system, makes you easy to hang or take clothes whereby you can easily reach the things you need, and hang clothes on or pick up conveniently, in addition, pull the arm gently to make the rail in the horizontal position, clothes can be hung up in the upper part of the wardrobe, leaving room in the bottom part for racks or shelves
- Space Saving – Make full use of the high place which we can't reach to, save space of your closet. our wardrobe lift hanger gives the ability to mount the rails higher than can be reached due to the pull down hydraulic system.

Glass Basket Pull Out Soft Close - JGWG 250



Description

Brand	Jadespace
JGWG	250
Available in	600 mm and 900 mm

Category: Wardrobe Fittings

About this item

- Set contains Pull out Mechanism, Handle built-in Metal frame, Glass Basket and clips
 - Allows easy access by a full extension Side undermount mechanism which is made in Germany
 - German soft close mechanism gives nice and gentle movement
 - Powder coated heavy metal frame for effortless functionality
- Organise your clothes in a better way with this pull-out for wardrobes
 - Wardrobe Glass Basket Pull out is available in 600mm and 900mm
 - Functional and visually pleasing alternative to wooden shelves, in Wardrobes
 - Maximum Weight Capacity – 30 Kgs

Soft Close Wardrobe - JGWS 251



Description

Brand	Jadespace
Item model number	Soft CloseTrackroller
Package Dimensions	37.9 x 7.8 x 5.4 cm; 1.37 kg
Item Weight	1 kg 370 g
Net Quantity	1.00 count

About this item

Hyderon Soft Close Wardrobe Sliding Double Track Door Roller for Wardrobe Sliding Doors, Wooden Sliding Doors, Glass Sliders
Color: Silver

Jewellery Box - JGWJ 252



Description

Brand	Jadespace
Colour	MOCHA
Material	Metal
Special Feature	Secret Compartment
Style	Modern
Recommended Uses For Product	Watch
Product Dimensions	46D x 86.4W x 7.1H Cm
Target Audience	Women
Shape	Rectangular
Occasion	Wedding

About this item

- Suitable For Most Wardrobes With Flexible Sizes Of 600 Mm And 900 Mm
- Can Be Used To Keep Hankerchiefs, Jewellery, Watches, Ties Etc.
- Alluminium Metal Frame For Long-lasting Life
- Premium Mocha Finish
- Soft Close Channel Mechanism
- 1 Year Warranty Against Manufacturing Defects
- Leather Base Finish || Adjustable Metal Partitions

Trousers Racks - JGWT 253



Description

Brand	Jadespace
Colour	Mocha
Material	Alloy Steel, Carbon Steel, Metal
Product Dimensions	35W x 11.5H Centimeters
Special Feature	Space Saving, Anti Slip

Category: Wardrobe Fittings

About this item

- Pull Out Pants Rack for Closet The pull out pants hangers with extendable clothes rail metal plate base, made of thicken aluminum alloy material, stable and firm, max load 55 lbs, and with electroplated rustproof alloy steel griphook that you can pull out the hangers more smoothly to choose your favorite clothes.
- Quiet Mute and Smoothly Work The pull out trousers rack with damping buffer bottom, double row of three Mute Pulley, provides cushioned rebound effect for better silent mute; Silent metal side, Pull Soomth, no sense of stopping, telescopic freely.
- Pull out Trousers Rack Size 13.4 x 16 x 4.4 inch, steel arm length 10.2 inch and spacing 1 inch, suitable for 10 pairs of pants, space saving, maximizing your closet space. Keep pants tidy and organized on the poles, making them compact and neat.
- 10 Arms Cylindrical Rods Wrapped in flocked materials to help maintain the shape of the pants without wrinkles, feeling comfortable soft. Perfect for hang your jeans, pants, slack, trousers, ties, scarf, etc. Can be used at: pant organizer(as pull out pants rack/trousers rack), hangers for jeans, tie organizer(as a tie hanger), as scarf organizers and storage, saving space.
- Easy Installation The pull-out trousers rack drawer is suitable for wardrobes with a depth of more than 18.5inch and a width of more than 13.6 inch, align the decorative cover with the mounting hole of the rail, just install the screw.

Rattan Basket - JGWR 254



Description

Brand	Jadespace
Colour	Beige, Black
Material	Rattan
Shape	Rectangular
Style	Closed
Recommended Uses For Product	Storage
Special Feature	Portable

Category: Wardrobe Fittings

Shop Wide Range Of Products from Jadespace on Amazon

Movable Pull Out Mirror with Tray - JGWM 255



Description

Brand	Jadespace
JGWM	255
Brief	Ideal for wardrobes with folding/sliding doors, 180° opening shutters, walk in wardrobes, etc.

Category: Wardrobe Fittings

About this item

- Set contains Pull out Mechanism with top/bottom pivots, Handle built-in Metal frame with mirror and tray

- Allows easy access by a full extension telescopic mechanism and rotating pivots
- Sleek design occupies minimum space with universal Left & Right application
- Rotating function in mechanism saves space for other storage
- Eliminates the need of a separate dressing table
- Tray can be used to store accessories
- Powder coated heavy metal frame for effortless functionality
- Ideal for wardrobes with folding/sliding doors, 180° opening shutters, walk in wardrobes, etc.
- Functional and visually pleasing alternative to wooden shelves, in Wardrobes

Movable Pull Out Mirror - JGWM 256



Description

Brand	Jadespace
JGWM	256
Brief	Ideal for wardrobes with folding/sliding doors, 180° opening shutters, walk in wardrobes, etc.

Category: Wardrobe Fittings

About this item

- Set contains Pull out Mechanism with top/bottom pivots, Metal frame with mirror

- Allows easy access by a full extension telescopic mechanism and rotating pivots
- Sleek design occupies minimum space with universal Left & Right application
- Rotating function in mechanism saves space for other storage
- Powder coated heavy metal frame for effortless functionality
- Ideal for wardrobes with folding/sliding doors, 180° opening shutters, walk in wardrobes, etc.
- Functional and visually pleasing alternative to wooden shelves, in Wardrobes

Shoe Rack Pull Out Soft Close - JGWS 257



Description

Brand	Jadespace
JGWS	257
Brief	600 mm and 900 mm

Category: Wardrobe Fittings

About this item

- Set contains Pull out Mechanism, Handle built-in Metal frame, Shoe Rack and clips
- Allows easy access by a full extension Side undermount mechanism which is made in Germany
- German soft close mechanism gives nice and gentle movement

- Powder coated heavy metal frame for effortless functionality
- Organise your shoes in a better way with this pull-out for wardrobes
- Wardrobe Shoe Rack Pull out is available in 600mm and 900mm
- Ideal for storing variety of shoes such as formal shoes, casual shoes, ladies sandals etc
- Functional and visually pleasing alternative to wooden shelves, in Wardrobes
- Maximum Weight Capacity – 30 Kgs

Trouser And Saree Rack - JGWT 258



Description

Brand	Jadespace
JGWT	258
Available in	600 mm and 900 mm

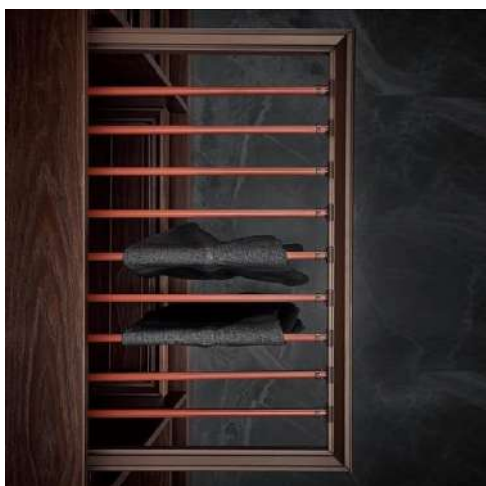
Category: Wardrobe Fittings

About this item

- Set contains Pull out Mechanism, Handle built-in Metal frame, Wardrobe Trouser and Saree Rack with tray and clips
- Allows easy access by a full extension Side undermount mechanism which is made in Germany
- German soft close mechanism gives nice and gentle movement

- Powder coated heavy metal frame for effortless functionality
- Organise your clothes in a better way with this pull-out for wardrobes
- Wardrobe Trouser and Saree Rack with tray Pull out is available in 600mm and 900mm
- Ideal for hanging trousers, saree, ties, belts and storing small accessories in the given trays
- Functional and visually pleasing alternative to wooden shelves, in Wardrobes
- Maximum Weight Capacity – 30 Kgs

Trousers Rack Clothes Organizers - JGWT 259



Description

Brand	Jadespace
Colour	Multicolour
Material	Plastic
Product Dimensions	47W x 8H Centimeters
Special Feature	Adjustable,Durable

Category: Wardrobe Fittings

- Durable Trousers Hanger: Made of High quality aluminum alloy material and ABS plastic, front end leather panel, it still works stably after tens of thousands of push and pull tests,Durable and long service life. Stable and firm, max load 75 lbs.

- Damping Buffer Slide Rail: The Multiple Pants Rack Hangers can be pulled out completely with the damping buffer slide rail ,a cushioned rebound effect for better silence at the bottom. Effectively prevent the rails from pulling, and the mute effect is good.
- Detachable Movable Pants Bar: Humanized design detachable pants bar, it can be pushed and pulled. Each cabinet pull rod can work independently without interference. which is more convenient to use.
- Free Expansion: Adjustable aluminum alloy frame, adjust the appropriate width at will, more matching with your wardrobe. ideal choice for storage areas, maximizing space.

Wardrobe Profile Handle - JGWW 260



Description

Brand	Jadespace
Material	Aluminum
Colour	R-Gold Black
Product Dimensions	28L x 4.3W Centimeters
Exterior Finish	Stainless Steel
Specific Uses For Product	Cabinet,Drawer,Kitchen
Special Feature	Easy to Install, Durable
Included Components	Handle
Item Weight	180 Grams
Metal Type	Aluminium

About this item

- PRODUCT DETAILS:- MATERIAL:- Aluminum || FINISH:- R-Gold Black || SIZE :- 288 mm.
- PACKAGE CONTENT:- 1 PCS Handle With Screws Assembly.
- USES:- For use on interior cabinet, drawer, wardrobe in bedroom, kitchen or bathroom.
- Wipe clean with a soft, dry, or slightly damp cloth. To protect the finish, avoid the use of household cleaners or abrasives.





JGBA 261 - Robe Hook



JGBA 262 - Soap Dish



JGBA 263- Double Soap Dish



JGBA 264 - Tumbler Holder



JGBA 265 - Liquid Soap Dispenser with Tumbler Holder



JGBA 267 - Napkin Ring



JGBA 268 - Liquid Soap Dispenser



JGBA 269- Towel Rack 24"



JGBA 270 - Soap Dish With Tumbler Holder



JGBA 271 - Towel Rod 24"



JGBA 272 - Paper Holder



JGBA 273 - Towel Rack 24"



JGBA 274 - Soap Dish



JGBA 275 - Tumbler Holder



JGBA 276 - Napkin Ring



JGBA 277 - Robe Hook



JGBA 278 - Liquid Soap Dispenser



JGBA 279 - Double Soap Dish



JGBA 280 - Tumbler Holder



JGBA 281 - Liquid Soap Dispenser with Tumbler Holder



JGBA 282 - Paper Holder



JGBA 283 - Soap Dish



JGBA 284 - Tumbler Holder



JGBA 285 - Napkin Ring



JGBA 286 - Robe Hook



JGBA 287 - Liquid Soap Dispenser



JGBA 288 - Double Soap Dish



JGBA 289 - Tumbler Holder



JGBA 290 - Liquid Soap Dispenser with Tumbler Holder



JGBA 291 - Paper Holder

Folding Towel Rack - JGBF 292



Description

Brand	Jadespace
Colour	Rose Gold
Material	Stainless Steel
Finish Type	Rose Gold Finish
Installation Type	Wall-Mounted
Shape	Round
Item Weight	1.52 Kilograms

- **CASTING**- Plantex Benz Towel Rack Is Made Of Type 304 Grade Stainless Steel With Premium Mirror Finish For Durability With Added 18/10 Cr/Ni Content to Resist Daily Scratches, Corrosions, and Tarnishing.
- **MODERN DESIGN**- Plantex Towel Bar Comes With Unique and stylish design add more modern elements for your kitchen and bathroom décor/ decoration Also This Towel Stand Fits Beautifully with Both contemporary And Classic Decore.
- **SPACE SAVING**- Plantex Towel holder with shelf provides a modern updated solution for home organization, top shelf for clean folded towels and clothes, bottom bars for damp towels.
DELIBERATE & USER-FRIENDLY- Wall Mounted Structure Helps Optimize Your Space Even in a Small Bathroom, Create An Accessible Rack For Your Family. It's Truly Strong, Long-lasting, And Easy To Maintain.

Folding Towel Rack - JGBF 293

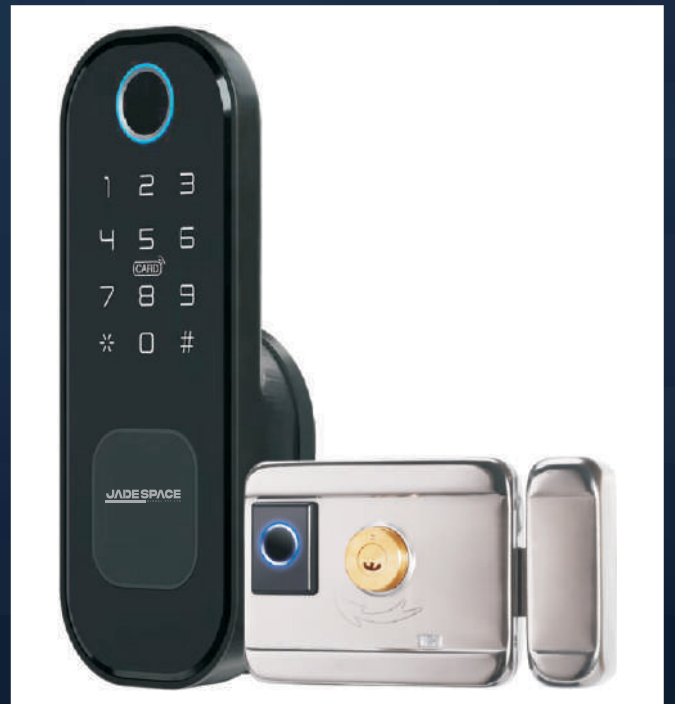


Description

Brand	Jadespace
Colour	Black
Material	Aluminium
Finish Type	Powder Coated
Installation Type	Wall-Mounted
Shape	Round
Item Weight	0.46 Kilograms

Material : Plantex Space towel organizer shelf is made up of strong and durable aluminum material with 7-layer powder coating. which ensures the trustable quality, durability, and longevity of the product. Plantex towel holder is rust free which enables it to stay in good condition for years.

Size : The size of plantex multipurpose towel rack is 58.5(L) x 21(W) x 17(H) cm. Take advantage of our space-saver concept, and fold off the towel hanger when not in use



Hardware

Door Closer – JGHD 294



Description

Brand	Jadespace
Door Weight	70-90KGS
Power Size	EN 3
Door Width	850-1100MM
Product Dimensions	200X36.5X39MM
Hole Distance	85X25.5MM
Adj. Latching Speed	YES
Adj. Closing Speed	YES
Back Check	NO
Hold Open	YES
Non-hold Open	NO
Life Cycles	2,00,000

Door Closer – JGHD 295



Description

Brand	Jadespace
Door Weight	80-100KGS
Power Size	EN 3/4
Door Width	950-1200MM
Product Dimensions	200X36.5X39MM
Hole Distance	185X55X40MM
Adj. Latching Speed	YES
Adj. Closing Speed	YES
Back Check	NO
Hold Open	YES
Non-hold Open	NO
Life Cycles	2,00,000

Door Closer – JGHD 296



Description

Brand	Jadespace
Door Weight	90-110KGS
Power Size	EN 4
Door Width	850-1250MM
Product Dimensions	185X55X40MM
Hole Distance	73X39MM
Adj. Latching Speed	YES
Adj. Closing Speed	YES
Back Check	NO
Hold Open	YES
Non-hold Open	NO
Life Cycles	2,00,000

Door Closer – JGHD 297



Description

Brand	Jadespace
Door Weight	90-110KGS
Power Size	EN 4
Door Width	850-1250MM
Product Dimensions	185X55X40MM
Hole Distance	73X39MM
Adj. Latching Speed	YES
Adj. Closing Speed	YES
Back Check	NO
Hold Open	YES
Non-hold Open	NO
Life Cycles	2,00,000

Glass Fittings

Commercial Door Closer - JGGC 298



Description

Brand	Jadespace
Material	Stainless Steel
Exterior Finish	Stainless Steel
Installation Type	Screw-In
Product Dimensions	10 x 5 x 4 cm
Item model number	JSG-BL1 mm
Item Height	4 Centimeters
Item Width	5 Centimeters
Voltage	1 Volts

PRODUCT DETAILS :- Materials:- Stainless steel Plate, Body Material MS (Mild Steel), Machine Material zinc, || Color:- Silver, Black || Capacity:- 135KG Extra Heavy.

PACKAGE CONTENT :- Pack Of 1 Pcs.

Shape: Rectangular || Suitable for all glass doors ||

High-quality patch fitting suitable for all sizes of flooring machine for the glass door

Usage/Application :- It is a door fitting affixed at the top of the glass door.

Combo Pack Contains :- 1-Piece Floor Spring, 2- Patch L, 1-Bottom Patch, 2-Top Patch, 1-Top Pivot for the patch, 1-Pair Glass Handle.

PRODUCT FEATURES:-

- ✓ Requires no digging or cutting of floor.
- ✓ Quick and easy installation.
- ✓ Technically sound and visually attractive.
- ✓ Designed with high precision.
- ✓ Easy to Use and Comfortable and dimensional accuracy.

Wall to Glass Hinge - JGGW 299



Description

Brand	Jadespace
Material	Stainless steel
Finish Type	Silver
Mounting Type	Door Mount, Wall Mount
Hole Count	2
Net Quantity	1.00 set

About this item

Wall to Glass Hinge Centrally positioned pivot line. Secure attachment with wall with four screws. Door width should not exceed 800 mm. Door weight should not exceed 40 Kg. Suitable Glass thickness 8mm / 10mm. With gaskets to prevent glass damage. Fittings are to be tightened to the specified torque in all occasions (4 Nm). Material:-SS-304. Finish: PSS/SSS

Glass Door Bottom Lock Fitting - JGGG 300

Description



Brand	Jadespace
Material	India
Country of Origin	JSG-BL1
Model number	JSG-BL1
Number of Memory Sticks	1
Product Dimensions	10 x 5 x 4 cm
Item model number	JSG-BL1 mm
Item Height	4 Centimeters
Item Width	5 Centimeters
Voltage	1 Volts

About this item

- **GOOD DURABILITY** This premium glass door bottom lock patch fitting is made of rust-free stainless steel, resists water and work for lifetime. The brushed surface is smoothly treated, they can be used from Normal to Toughened Glass Doors.
- **EASY TO INSTALL** The package contains compatible installation fixtures for easy and quality installation that can meet your needs. The patch material is sufficient, the force area is large, the load-bearing performance is strong, and it is not easy to deform.
- **MODERN STYLISH** Simple shape, beautiful appearance. Premium matt finish, suitable for a variety of door styles. Meet your aesthetic needs and add a touch of sophistication to your office/home.
- **PACKAGE INCLUDES** 1 Pc Glass Door Bottom Lock Fitting, 3 Keys & Authenticity Card

Glass Door Handle - JGGH 301



Description

Brand	Jadespace
Special Feature	Easy to Install, Durable
Item dimensions	45 x 3 x 7 Centimeters
Material	Stainless Steel
Style	Modern

About this item

- This main glass door handle from Plantex is made of stainless steel material with a touch of nickel chrome mirror finish. It is robust, long-lasting, and resistant to regular scratches and corrosion.
- Avoid using harsh chemicals like acids. To maintain the durability and shine of the handle for main door, it is advisable to clean it regularly using a damp and dry cloth.

Door Magnet Stopper - JGGG 302



Description

Brand	Jadespace
Mounting Type	Door Mount
Material	Stainless Steel
Colour	Black
Style	Modern
Dimensions	7L x 4W x 4Th Centimeters
Finish Type	Black
Number of Pieces	1

About this item

- **Sturdy and durable:-** The magnetic door catch stopper is composed of stainless steel with corrosion resistance and durability, and is designed to offer consistent support for years to come.
- **Powerfull Magnet force:-** The magnetic door holder includes a powerful magnet with a pull strength to hold and stop the door, prevent doors from slamming shut, and guard against unsightly damage to walls.
- **Application:-** The adaptable door stopper can be mounted on the wall or the floor. A easy and effective approach to stop and hold any doors softly and discreetly is to use a heavy-duty magnet doorstop with tremendous pull strength.
- **Easy Installation:-** The modern appearance and rigidity are both preserved by the streamlined design with discreet installation. High-end mounting gear is included for a speedy and simple installation.
- **Package Content:-** 1 Piece door magnet stopper and extra installing screws. The door magnet stopper is purely made in India.

Magnetic Floor Stopper - JGGM 303



Description

Brand	Jadespace
Mounting Type	Floor Mount
Material	zamak 3
Colour	Black Matt
Style	soft touch door stopper
Dimensions	6.2L x 6.2W x 0.9Th Centimeters
Number of Pieces	1
Manufacturer	bansi sales, 8460392292

About this item

- **Magnetic Design:** This door stopper utilises powerful magnetic force to keep it firmly in place.
- **Adjustable Height:** The height can be adjusted to suit different floor gaps for optimal performance.
- **Corrosion Resistant:** Made of zinc alloy, it is resistant to corrosion and ensures long-lasting durability.
- **Strong Suction:** The strong suction force prevents the door from slamming and damaging walls.
- **Versatile Usage:** Suitable for bedroom doors, it can also be used for other interior doors.

Push to Open Door Catcher Magnet - JGGP 304



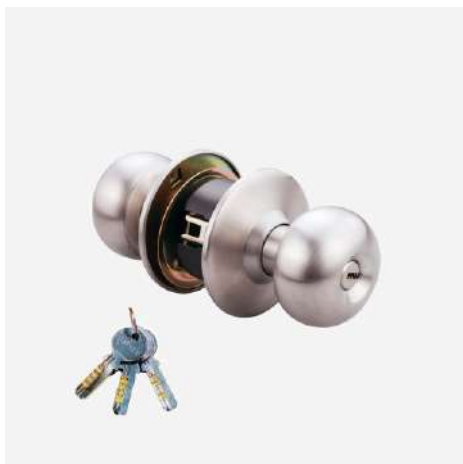
Description

Brand	Jadespace
Mounting Type	Door Mount
Material	Aluminium
Colour	Silver
Style	Modern
Dimensions	14.5L x 20W x 1Th Centimeters
Finish Type	Polished
Number of Pieces	10

About this item

- Push to Open Built-in spring-loaded plunger, you can just simply press the door to latch or unlatch. Eliminates the need for handles or knobs. Create the clean, seamless look of no knobs. Suitable for using with hinges without self-closing feature.
- Long Stroke with Magnetic Dimension: 125 x 10 x 12mm / 4.92" x 0.39" x 0.47" (LxWxH) ; Rebound extension size: 47mm/1.85"
- Durable The push to open magnetic latches are made of high quality plastic and stainless steel, safe and magnetic, strong and durable, can be applied with your confidence. Besides, it is not easy to deform or no fade, with a certain of thickness, which can serve you for a long time.
- Easy to Install Touch latch push is easy to install, which just can be to fixed on any places by screws. Firstly, install the screws at the 2 oval holes, in order to adjust place to suit closing. Then fix the plate with screws at the inside of cabinet door. So you do not need to worry about the difficulty of precise positioning and installation.
- In the Box : 10 pcs of Pencil Push to open Magnet

Door Lock - JGGD 305



Description

Brand	Jadespace
Special Feature	Door Lock
Lock Type	Key Lock
Item dimensions	7 x 20 x 7 Centimeters
Material	Stainless Steel

About this item

- Best For : Single Panel Doors With A Thickness From 35 mm To 50 mm, Lock Backset - 60 mm
- Material : Stainless Steel Grade 316 Cover With 3 Simple Keys.
- Durable & Rust Resistant Door Lock Operated With Key From Outside.
- Warranty: 1 Year Warranty From The Date Of Invoice
- Special Feature: The Product Is Durable, Long Service Time, Firm And Stable In Use
- Universal Handing: Fits Both Right Handed And Left Handed Doors

Antique 7 Inch Iron Handle - JGGA 306



Description

Brand	Jadespace
Mounting Type	Door Mount
Material	Iron
Colour	ANTIQUE
Style	Modern
Dimensions	17L x 4W Centimeters
Special Feature	Easy to Install
Item Weight	650 Grams

About this item

- Metal Type: Iron Size" 7" Finish: Antique
- Best fit for main door, bedroom, living room.
- Key operation from both inside and outside.
- Simple handle design provides a comfortable grip. It can be installed in the front and back of the door.
- 2 pieces door lock handles, 1 piece brass door lock body, 1 spendil bar, 2 keys, Screws for fitting

Deluxe Door Locks - JGGA 307



Description

Brand	Jadespace
Lock Type	Mortise Lock
Item dimensions	14 x 5 x 5 Centimeters
Material	Brass, Zinc

About this item

- Top Quality: If you want to upgrade your lifestyle with premium quality Door Locks, this one is ideal for you. The Mortise Door lock has a sleek finish, which will make you believe.

- Warranty: The premium Mortise Door lock Body, handles and cylinder have a 36-month warranty period against all kinds of manufacturing defects.
- Material: The Premium Mortise Door Lockset is the best in the market in terms of quality. The handle is made of Virgin grade zinc and is available in Antique Finish, and the 70 mm Bolt cylinder and 50 x 85 mm Lock body are made entirely out of Brass.

TWOER BOLT - JGGA 308



Description

Brand	Jadespace
Item Dimensions LxWxH	61 x 2.4 x 1.6 Centimeters
Net Quantity	1
Included Components	Screws & Accessories

- **High-Quality Construction:** Crafted from premium-grade Aluminium, this tower bolt is built to withstand daily use and resist corrosion, ensuring long-lasting durability.
- **Easy Installation:** The screws hole are elegant counterbore design.They can be in the form of a sliding bolt that prevents the door from swinging open, or a hook for maintaining a closed position for both sliding and swinging motions.
- **Secure Locking Mechanism:** The sturdy bolt slides smoothly into the receiver, providing a strong and secure lock to prevent unauthorized access or movement.
- **Versatile Application:** Suitable for residential, commercial, and industrial settings, this tower bolt is ideal for doors, windows, gates, cabinets, sheds, and more.

TWOER BOLT - JGGA 309



Description

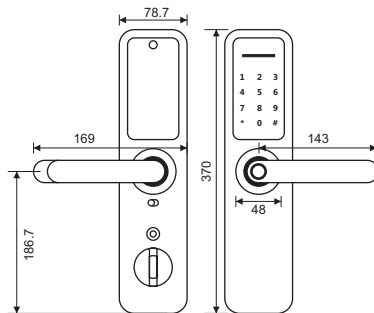
Brand	Jadespace
Item Dimensions LxWxH	61 x 2.4 x 1.6 Centimeters
Net Quantity	1
Included Components	Screws & Accessories

- **High-Quality Construction:** Crafted from premium-grade Aluminium, this tower bolt is built to withstand daily use and resist corrosion, ensuring long-lasting durability.
- **Easy Installation:** The screws hole are elegant counterbore design.They can be in the form of a sliding bolt that prevents the door from swinging open, or a hook for maintaining a closed for both sliding and swinging motions.
- **Secure Locking Mechanism:** The sturdy bolt slides smoothly into the receiver, providing a strong and secure lock to prevent unauthorized access or movement.
- **Versatile Application:** Suitable for residential, commercial, and industrial settings, this tower bolt is ideal for doors, windows, gates, cabinets, sheds, and more.

Smart Lock - JGDL 310



6068 Lock Body
SS304



5 WAYS UNLOCKING



SMART LIFE APP



PIN CODE



MECHANICAL KEY



FINGER PRINT



RFID CARD

FEATURES



USB Power Backup



Easy Installation



Anti-theft Alarm



Privacy Lock



Time Restricted Passcode

POWER

AA Alkaline Battery

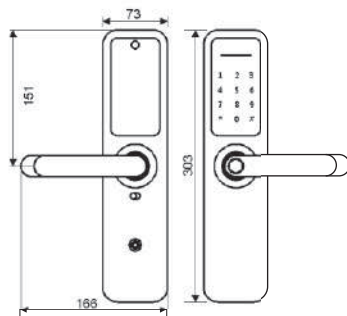
COLOR

Matte Black

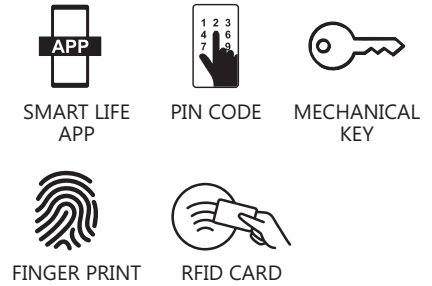
Smart Lock - JGDL 311



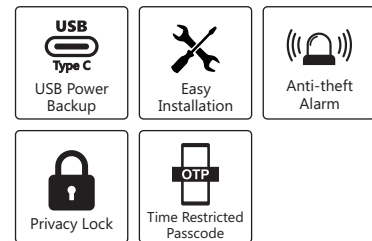
5050 Lock Body
6085 Lock Body (Optional)



5 WAYS UNLOCKING



FEATURES



POWER **COLOR**
AA Alkaline Battery Matte Black

Smart Lock - JGDL 312



5 WAYS UNLOCKING



SMART LIFE APP



PIN CODE



MECHANICAL KEY

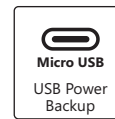


FINGER PRINT



RFID CARD

FEATURES



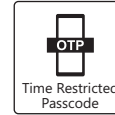
Micro USB
USB Power Backup



Easy Installation



Anti-theft Alarm



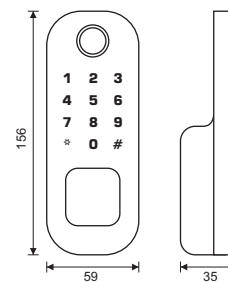
Time Restricted Passcode

POWER

AA Alkaline Battery

COLOR

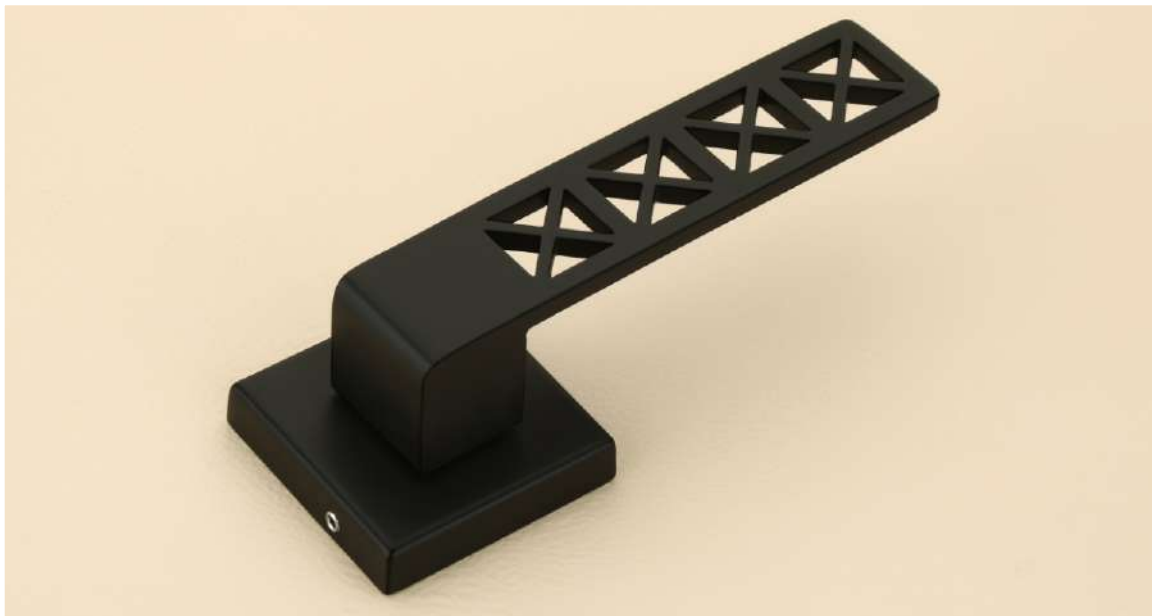
Matte Black



Mortice Handle - JGDM 313



Mortice Handle - JGDM 314



Mortice Handle - JGDM 315



Mortice Handle - JGDM 316



Mortice Handle - JGDM 317



Mortice Handle - JGDM 318



Mortice Handle - JGDM 319



Mortice Handle - JGDM 320



Mortice Handle - JGDM 321



Mortice Handle - JGDM 322



Mortice Handle - JGDM 323



Mortice Handle - JGDM 324



Mortice Handle - JGDM 325



Mortice Handle - JGDM 326



Mortice Handle - JGDM 327



Mortice Handle - JGDM 328



Mortice Handle - JGDM 329



Mortice Handle - JGDM 330



Mortice Handle - JGDM 331



Mortice Handle - JGDM 332



Mortice Handle - JGDM 333



Mortice Handle - JGDM 334





Lock Body 3 Bullet - JGDL 335

Size : 50x85MM

Size : 45x85MM

Baby Latch - JGDL 336

Size : 45MM



Dead Lock With Key Hole - JGDL 337

Size : 50MM



**BOTH SIDE KEY -
JGDL 338**
(3 Ultra Key)

60MM	S.S. ANTIQU Z BLACK PVD
70MM	S.S. ANTIQU Z BLACK PVD
80MM	S.S. ANTIQU Z BLACK PVD



**1 SIDE KEY 1 SIDE KNOB
JGDL 339**
(3 Ultra Key)

60MM	S.S. ANTIQU Z BLACK PVD
70MM	S.S. ANTIQU Z BLACK PVD
80MM	S.S. ANTIQU Z BLACK PVD



**1 SIDE KNOB 1 SIDE COIN
JGDL 340**

60MM	S.S. ANTIQU Z BLACK PVD
70MM	S.S. ANTIQU Z BLACK PVD
80MM	S.S. ANTIQU Z BLACK PVD



MAIN DOOR HANDLE (ALUMINUM) 25MM DIA - JGDM 341				
FINISH	ANTIQUE		WENGIE	
SIZE	200MM	300MM	400MM	600MM

PAIR



MAIN DOOR HANDLE (ALUMINUM) 25MM DIA - JGDM 342				
FINISH	ANTIQUE		WENGIE	
SIZE	200MM	300MM	400MM	600MM

PAIR



PEACOCK MAIN DOOR HANDLE(ZINC) PCS - JGDP 343

FINISH	ANTIQUE	PVD GOLD	PVD R.GOLD	COPPER HIGHLIGHT
250 MM	4700	5700	5700	4700



HORSE MAIN DOOR HANDLE (ZINC) PCS - JGDH 344

FINISH	ANTIQUE	COPPER HIGHLIGHT	PVD GOLD	PVD R GOLD	PVD GREY
200 MM	1300	1300	1500	1500	1500
250 MM	3800	3800	4300	4300	4300
320 MM	7000	7000	8000	8000	8000



SWAN MAIN DOOR HANDLE (ZINC) PCS - JGDP 345

FINISH	ANTIQUE	COPPER HIGH LIGHT	PVD GOLD	PVD R GOLD	PVD GREY
400MM	4200	4200	4800	4800	4800



LION MAIN DOOR HANDLE (ZINC) PCS - JGDP 346

FINISH	ANTIQUE	COPPER HIGHLIGHT	PVD GOLD	PVD R GOLD	PVD GREY
250 MM	4500	4500	5000	5000	5000
320 MM	9000	9000	10000	10000	10000



ELEPHANT MAIN DOOR HANDLE(ZINC) - JGDE 347

FINISH	ANTIQUE	COPPER HIGH LIGHT	GREY
250 MM	4400	4400	4400



STEEL KNOB " DAIMOND " PAIR - JGDS 348



STEEL KNOB "ROXY" PAIR - JGDS 349



STEEL KNOB "PERFECT" PAIR - JGDS 350

Self Button - JGHS 351



Material : SS
Finish : Matt & Antique

Baby Latch - JGHS 352



Material : SS
Finish : Matt & Antique

Conceal Handel - JGHC 353



Material : SS
Finish : Matt & Antique

Indicator Bolt - JGHI 354



Material : SS
Finish : Matt & Antique

Khuti - JGHI 355



Material : SS
Finish : Matt & Antique



Sign Plate - JGHS 356



Material : SS
Size : 90 x 125mm

Modular Furniture Items

5 Seater Fabric Sofa - JGMFS 357



Description

Brand	Jadespace
Colour	Dark Grey
Special Feature	Recliner
Seat Depth	83.8 Centimeters
Seat Height	33 Inches
Weight Limit	650 Kilograms
Product Dimensions	305D x 152.4W x 88.9H Centimeters
Item Weight	50000 Grams
Type	Sectional
Assembly Required	YES

Category: Modular Furniture Items

About this item

- Royal Look – Welcome your guests into your home with pride. This sofa is the ultimate statement sofa, made for royal treatment.
- L Shape Sofa Set For Living Room, Fabric material Solid Wood & high density Supersoft Air Foam.
- Primary Material: Solid Wood, Secondary Material: Foam, Upholstery Material: Fabric, Color : Dark grey, Assembly Required
- We have Unique Catalogue of L shape Sofa Sets, 3 seater sofas, 2 seater sofas, Sofa Cum beds, Recliner Sofas, Beds, Wardrobes, Mattresses, Dining Table Sets. Browse & get the best fit for your Homes.
- Please expect an unevenness of up to 1inch in the product due to differences in surfaces and floor levels. The color of the product may vary slightly compared to the picture displayed on your screen. PC/Laptop monitor or mobile display has a different capability to display colors, and every individual may see these colors differently. This is due to lighting, pixel quality and color settings.
- Furny offers Best Furniture with sturdy and durable design and we are devote to provide high quality Furniture.

Wardrobe - JGMW 358



Description

Brand	Jadespace
Colour	Multi Colour
Material	Engineered Wood
Room Type	Bedroom
Door Style	Wood

Category: Modular Furniture Items

• Top-Quality Material

The wardrobe is crafted using good-quality engineered wood which offers sturdiness and durability. The closet is a must-have to furnish your living spaces.

• Eye-Catching Design

This wardrobe is designed with a contemporary & elegant design, & a smooth finish which gives a classy look. This wardrobe comes with an in-built mirror.

Modular Kitchen Design - JGMK 359



Description

Brand	Jadespace
Primary Material	BWR PLY
Shutter Finish	Action Tesa HDHMR With High Gloss Laminate
Hardware	Branded Hardware

Category: Modular Furniture Items

Description

A kitchen is the heart of every home since it is where nutritious food is prepared. A Modular kitchen design is a modern take on a traditional kitchen unit that includes enough storage options, even in a tiny area, to keep the room from being cluttered and to make it convenient to use at all times. Two things are critical for a kitchen to be practical and user-friendly: ample storage space and proper organization of items for easy access. These Modular kitchen Design from Wooden Street allows you to add a personal touch in your kitchen. These Modular Kitchen may be customised to fit your cooking style. This implies that everything in the kitchen may be arranged around the many phases involved in cooking so that you don't have to move back and forth between them. They say that path to one's heart goes through the stomach, so make the process of reaching to someone's heart more memorable with stylish and unique designs of L shaped modular kitchen from Wooden Street.

Modular Kitchen Design - JGMK 360



Description

Brand	Jadespace
Primary Material	BWR PLY
Shutter Finish	Action Tesa HDHMR With High Gloss Laminate
Hardware	Branded Hardware

Category: Modular Furniture Items

Description

A kitchen is the heart of every home since it is where nutritious food is prepared. A Modular kitchen design is a modern take on a traditional kitchen unit that includes enough storage options, even in a tiny area, to keep the room from being cluttered and to make it convenient to use at all times. Two things are critical for a kitchen to be practical and user-friendly: ample storage space and proper organization of items for easy access. These Modular kitchen Design from Wooden Street allows you to add a personal touch in your kitchen. These Modular Kitchen may be customised to fit your cooking style. This implies that everything in the kitchen may be arranged around the many phases involved in cooking so that you don't have to move back and forth between them. They say that path to one's heart goes through the stomach, so make the process of reaching to someone's heart more memorable with stylish and unique designs of L shaped modular kitchen from Wooden Street.



CORPORATE OFFICE:

512, A Wing, Kailash Business Park, Vikhroli West, Mumbai.
Phone No.: 022 4512 0831 | Email : sales@jadespaceglobel.com
Web.: www.jadespaceglobel.com

PRODUCTION SITE :

Plot No-2636, Kalawad Road,
GIDC Metoda, Rajkot, Gujrat -360021.

A decorative graphic at the bottom of the page consisting of several overlapping, wavy, curved bands in shades of green, ranging from light to dark, creating a sense of movement and flow.